



# 2017

parts catalog

Shop Online  
**SAVE 5%**  
ON EVERY ORDER

[www.satelliteindustries.com](http://www.satelliteindustries.com)  
800-883-1123



# PORTABLE RESTROOMS

---

*TUFWAY®*

*TAURUS™*

*MAXIM 2000®*

*MAXIM 3000®*

*GLOBAL™*

*GLOBAL 1.5™*

*HIGHRISE™*

*HIGH TECH 1™*

*HIGH TECH II™*

*LIBERTY™*

*FREEDOM 2®*

*FREEDOM 3®*

*WORLD CARE™*

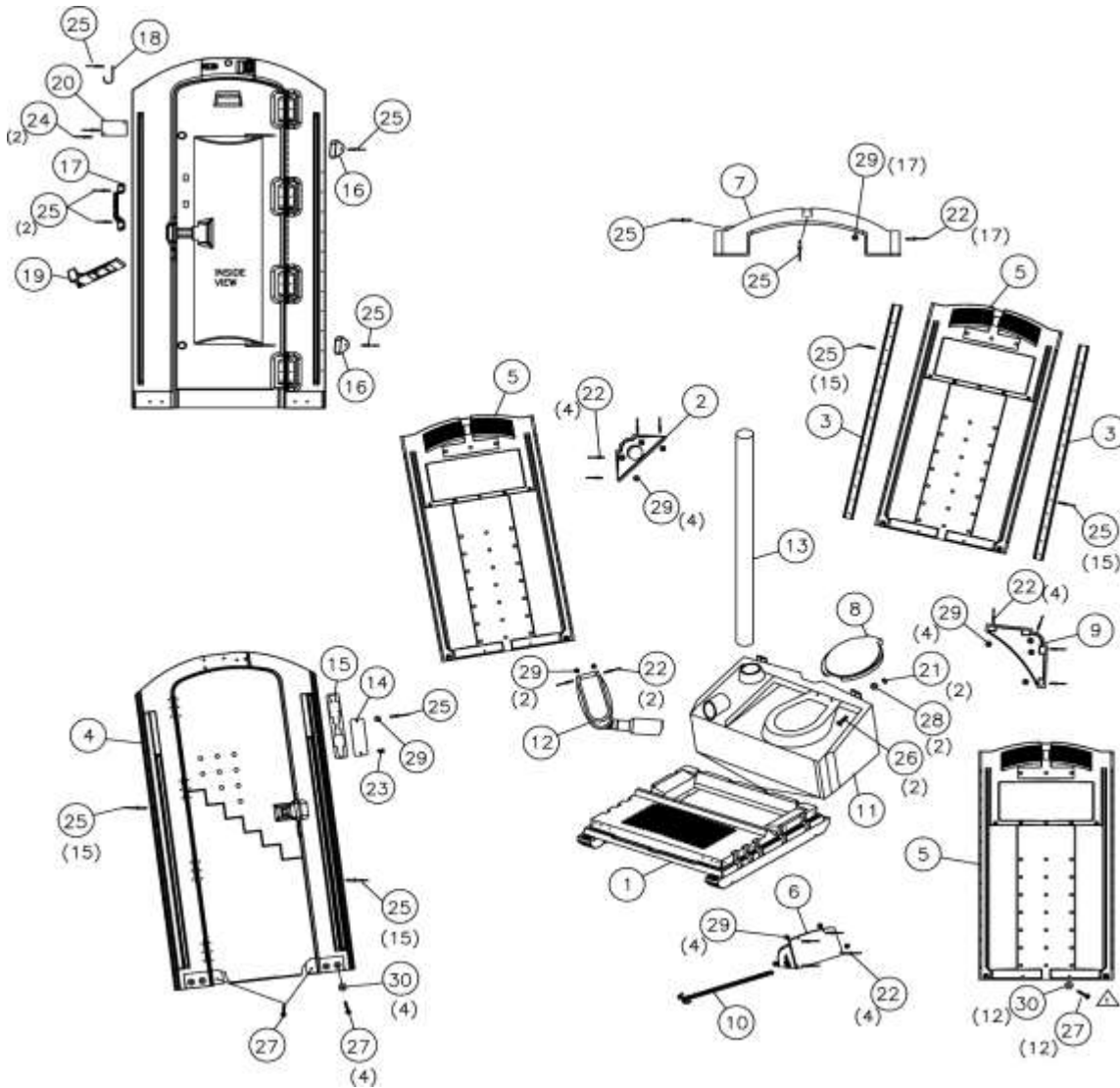


*Consult Your Area Manager at:*

Tel: 1-800-883-1123 (US & Canada) Fax: 1-800-328-3334 (US & Canada)

Web Site: [www.satelliteindustries.com](http://www.satelliteindustries.com)

### TAURUS® MAJOR ASSEMBLY



### TAURUS® COLOR CHART

CUSTOM COLORS ( QTY 300 – 4 TO 6 WEEKS LEAD TIME FROM ORDER RELEASE)  
CONTACT AREA MANAGERS FOR PRICING

	GREY	BLUE	DARK GREEN	ORANGE	SAND	JADE	RED	GGRN	PINK	DGRN
FRONT	18744			18919	18347	18742	18897		20756	18741
PANEL	18671	18667	18668	18917	18673	18670	18896	18953	20755	18668
CORNER POST	18734	18732	18746		18748					18746

Visa / Mastercard / American Express / Discover – A 3% fee for any orders charged over \$15,000.00 will apply.  
\$25.00 Minimum Order — Prices and quantities subject to change / all prices are FOB FACTORY — Priced in U.S. Dollars  
20% minimum restocking charge applies on returns

## TAURUS® MAJOR ASSEMBLY

REV G ITEM #	PART#	QTY PER UNIT	DESCRIPTION	PRICE EACH
1	18615	1	BASE- TRS/HT ROTOMOLD	126.09
1A	40014	1	BASE- GB DIRT BUSTER	110.82
2	18736	1	BRKT SHELF- TAURUS MGRY	6.20
3	SEE CHART	2	CORNER POST- TAURUS	18.03
4	SEE CHART	1	FRONT ASSY- TAURUS	246.04
5	SEE CHART	3	PANEL- TAURUS	124.67
	18709	1	HDWE- TAURUS (BM)	32.29
6	22209	1	HOOD- PAPERGRD 3 ROLL DGRY	8.60
	22337	1	KIT- PAPERGRD II 3 ROLL PUSHCAP	16.00
	22335	1	KIT- PAPERGRD II 3ROLL POP RVT	16.00
	19408	1	KIT- PAPERGRD 4 ROLL VERTICAL	35.00
7	18683	1	ROOF- TAURUS	66.76
8	14959	1	SEAT- ELONG MX2/MX3/TRS/HT/GB BLK (OLD TANKS PRE 05-11)	15.73
	19196	1	KIT- T/SEAT 2-1/2 BOLT/NUT SET	3.35
9	18735	1	SHELF- TAURUS MGRY	6.20
10	22310	1	SPINDLE- PAPERGRD 3 ROLL METAL	3.20
	18696	1	SPINDLE- PAPERGRD 3 ROLL WOOD	2.58
11	18934	1	TANK- TAURUS DGRY	132.93
12	18700	1	URINAL- TRS/HT W/TUBE	38.70
	18856	1	TUBE- TRS/HT URINAL	8.51
	18768	1	PLUG- URINAL HOLE SYNERGY TANK	4.12
13	18754	1	VENT PIPE- SYN 4X64 BLACK	10.40
14	18807	1	COVER- TAURUS GENDER	1.93
15	18808	1	DECAL- TRS/HT GENDER 2X11 WHT	0.89
16	18707	2	GUIDE- HT DOOR SPRING	1.05
17	16807	1	HANDLE- PLASTIC HOVER (Post 2005)	2.37
	18708	1	HANDLE- PLASTIC LUGGAGE (Pre 2005)	1.28
18	10891	1	HOOK- FLAT COAT STNLS	1.13
19	19592	1	LATCH- SLIDING ELBOW W/ENG LAB (OLD STYLE 18711)	5.83
20	18710	1	MIRROR- 3 X 5 PLASTIC	2.04
21*	13128	2	NUT- 1/4-20 NYLOC	0.12
22*	11054	31	RIVET- #68 AAL POP	0.14
23*	16804	1	RIVET- PINE TREE 1/4 X 9/16	0.10
24*	11027	2	RIVET- #66 ALUM	0.09
25*	18755	68	RIVET- AVDEL SILVER LONG	0.20
26*	18705	2	SCREW- 1/4-20 X3/4 TRUSS STNLS	0.19
27*	13860	18	SCREW- #14 X 1-1/2 W/W SH GOLD	0.11
28*	12382	2	WASHER- 1/4 FLAT STNLS	0.06
29*	11315	3	WASHER- 3/16 RIVET STNLS	0.06
30*	11368	16	WASHER- 5/16 FLAT STNLS	0.11
	18680	1	INSTRUCTIONS- TAURUS (NOT SHOWN)	

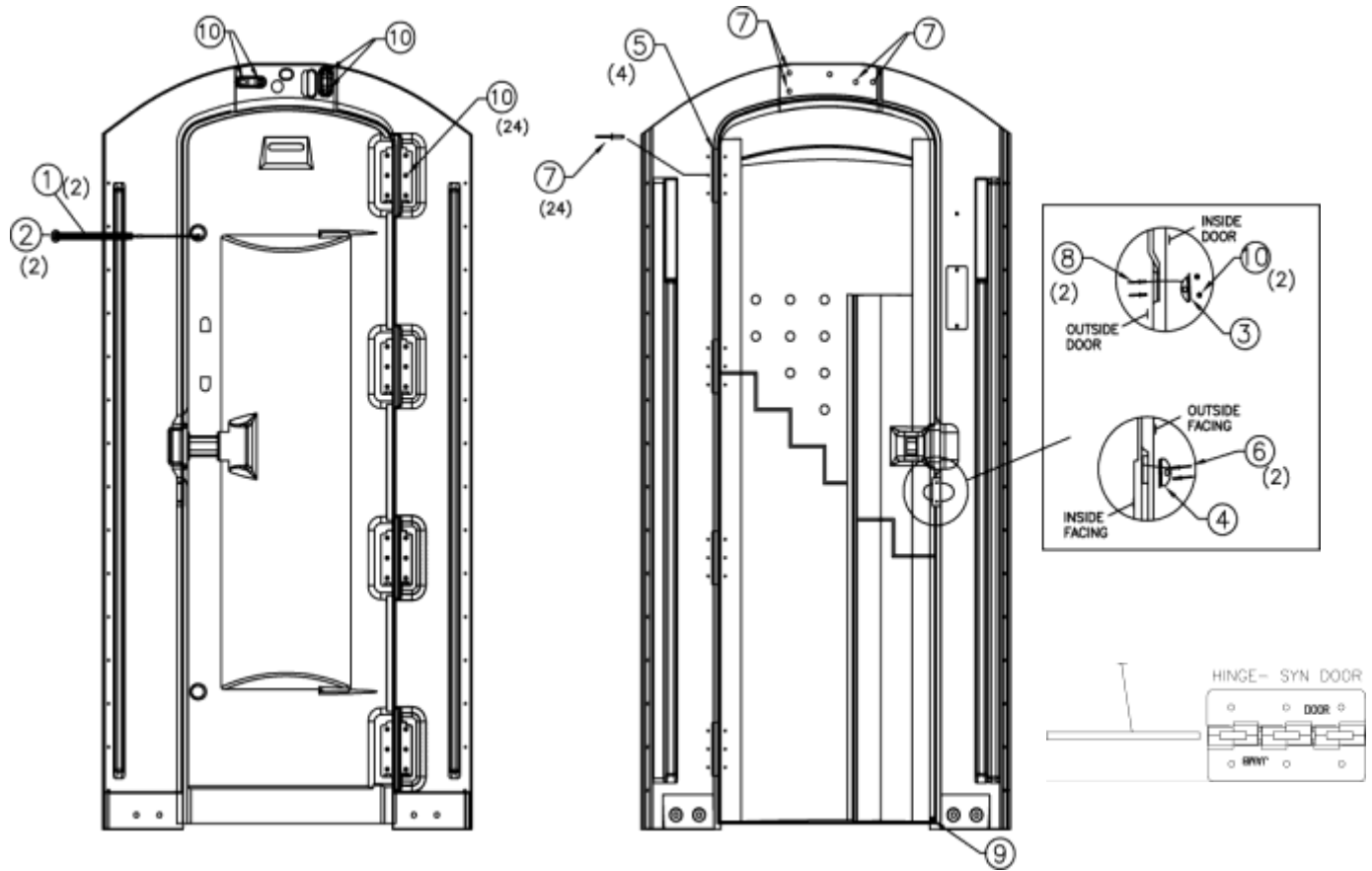
\* ONLY SOLD IN MULTIPLES OF 100

Consult Your Area Manager at:

Tel: 1-800-883-1123 (US &amp; Canada) Fax: 1-800-328-3334 (US &amp; Canada)

Web Site: [www.satelliteindustries.com](http://www.satelliteindustries.com)

## TAURUS® FRONT ASSEMBLY



REV F ITEM #	PART#	QTY PER UNIT	DESCRIPTION	PRICE EACH
1	18704	2	CLOSURE ASSY- TAURUS (NEEDS 18760)	2.50
2	18760	2	END CAP- TRS/HT2 CLOSURE	0.40
3	18804	1	HASP- TRS/HT2 DOOR	1.95
4	18805	1	HASP- TRS/HT/HT2 FACING	2.08
5	18733	4	HINGE- SYN DOOR	3.98
6*	17436	2	RIVET- AVDEL SILVER	0.20
7*	11024	28	RIVET- #610 AAP	0.19
8*	11270	2	RIVET- #68 STNLS	0.19
9*	10122	1	SCREW- #10 X 3/4 PHPN TAP PLTD	0.12
10*	11315	30	WASHER- 3/16 RIVET STNLS	0.06
11	18730	4	HINGE PIN- REPLACMNT SYN DOOR	2.40
	18763	1	DECAL- LATCH OPEN/INUSE SYN	0.66
	19389	1	KIT TAURUS SECURITY PLATE	7.45
	19537	1	KIT- TRS/HT/WC LATCH COVER REP	8.02

\* ONLY SOLD IN MULTIPLES OF 100

Visa / Mastercard / American Express / Discover – A 3% fee for any orders charged over \$15,000.00 will apply.  
 \$25.00 Minimum Order — Prices and quantities subject to change / all prices are FOB FACTORY — Priced in U.S. Dollars  
 20% minimum restocking charge applies on returns

# Mitch Is Really A Nice Guy, Until He Gets To Work.



## Paid To Be Nasty

Mitch takes his nephews fishing and watches hockey games on TV. Normal stuff for a guy from Minnesota. But, when Mitch gets to work he turns crazy, like a Packer fan on Sunday afternoon. Why does that matter to you? Because Mitch is our product tester.

For 22 years Mitch has beat the tar out of our restrooms. Does he do it because he likes it? Maybe. He does it so we can continue to offer you a 10 year limited warranty on all our standard restrooms.

Frankly, without Mitch you would be operating a repair shop not a rental business. And Satellite would be like the other guys who wish they could offer a 10 year warranty.

Quality may cost a little bit more, but Mitch can tell you, its worth the investment.



The Global, Tufway and Maxim 3000 come with our exclusive 10 year limited warranty.



>>>> *move ahead with Satellite*

800-328-3332 / [www.satelliteindustries.com](http://www.satelliteindustries.com)

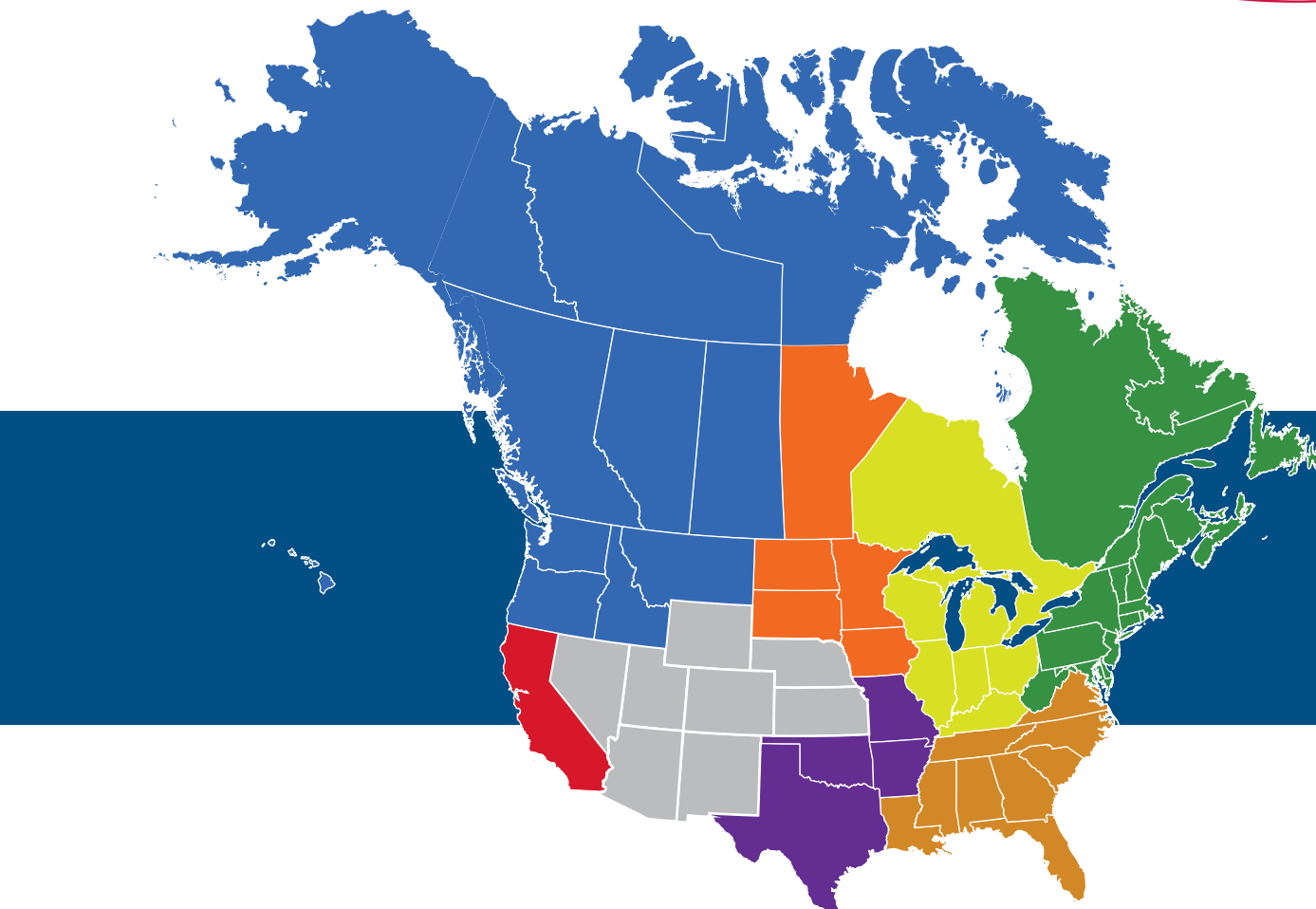
Consult Your Area Manager at:

Tel: 1-800-883-1123 (US & Canada) Fax: 1-800-328-3334 (US & Canada)

Web Site: [www.satelliteindustries.com](http://www.satelliteindustries.com)



# AREA MANAGERS AND TERRITORIES



## Northwest

John Sprenger  
800.824.5755 / johns@satelliteco.com



## California

Tim White  
800.272.3280 / timw@satelliteco.com



## South Central

Gene Clay  
866.556.4630 / genec@satelliteco.com



## Mountain West

Jeff Sprenger  
763.519.652 / jsprenger@satelliteco.com



## Northeast

Josh Carmichael  
574.350.2162 / joshuac@satelliteco.com



## Southeast

Ryan Anthony  
877.711.1054 / ryana@satelliteco.com



## MN, WI & Manitoba

Mark Elhardt  
800.328.3332 / marke@satelliteco.com



## Great Lakes

Paul Jongert  
763.519.6546 / paulj@satelliteco.com

## Online Ordering

satelliteindustries.com  
safetfresh.com

## Customer Service

Restrooms: 800.883.1123 | Fax: 800.328.3334  
Safe-T-Fresh: 877.764.7297 | orderdesk@satelliteco.com